

# CityLine/CityVu EdgeLine/EdgeVu M-Series M600 OOX Sliding Door Installation Guide

IG-066 REV. 08/23 1.1



## CityLine EdgeLine

Scan Here for a Digital Version of the  
Installation Guides in English.

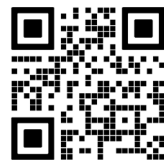
Quartz Luxury Windows & Doors:  
[www.quartzluxurywindows.com](http://www.quartzluxurywindows.com)



## CityVu EdgeVu

Scan Here for a Digital Version of the  
Installation Guides in English.

Quartz Residential Windows & Doors:  
[www.quakerresidentialwindows.com](http://www.quakerresidentialwindows.com)



## M600

Scan Here for a Digital Version of the  
Installation Guides in English.

Quaker Commercial Windows & Doors:  
[www.quakercommercialwindows.com](http://www.quakercommercialwindows.com)



Para ver las instrucciones en Espanol, escanea aqui.

If this set of instructions does not match your installation method or the wall conditions of the job site, please check our website listed below for other options, or call Quaker Customer Service for additional information.



Quaker Window Products  
504 U.S. Hwy 63 South  
Freeburg, MO 65035  
(800) 347-0438  
[www.quakerwindows.com](http://www.quakerwindows.com)



PO Box 128

| 504 Highway 63 South

| Freeburg, MO 65035

| 800-347-0438

| 573-469-4151 (fax)

## CityLine/CityVu EdgeLine/EdgeVu M-Series M600 OOX Sliding Door Installation Guide

**Read these instructions completely before starting any installation.** Failure to install and maintain our product according to these instructions may void any product warranty. Please visit our website at [www.quakerwindows.com](http://www.quakerwindows.com) or call 1-800-347-0438 for additional information.

### Tools required by installer:

Safety Glasses		Utility Knife	
Drill/Driver		Caulk Gun	
Level		Tape Measure	
Hammer		J-roller	
Putty Knife		Staple Gun	

### Materials required by installer:

Foam Backer Rod		Minimally Expanding Foam	
Shims (Waterproof)		Sealant	
Flashing tape (Self-Adhering)		Water Resistant Barrier/House Wrap (WRB)	
Fasteners		IPA Alcohol	
		Drip Cap	

## **WARNING**

### Tools

- Follow manufacturer's instructions for safe operation of tools, and ladders/scaffolding. Always wear safety glasses. Failure to do so could result in injury, product or property damage.

### Handling

- Do not store units outside, or in a hot environment. Doing so could result in product damage.
- Do not carry flat.** Doing so could result in product damage, injury, or property damage.
- Stack units as straight as possible to avoid bowing. **Do not lay flat!**

### Glass

- If broken, glass can fragment causing injury. All Quaker products are available with safety glass. In many areas, local building codes require safety glass in certain locations and/or applications. Unless safety glass is ordered, Quaker windows are not provided with safety glass. Before ordering, consult your local building codes for more definitive information.

### Fastening

- Metal fasteners and components could corrode when used with preservative-treated lumber. Use approved fasteners and components to fasten window or door. Failure to do so could cause a failure resulting in injury, product or property damage.
- Fastener must attach to a structural framing member with 1 1/2" minimum fastener embedment, or minimum 3 full threads with a minimum 5/16" head as products were tested with.
- Quaker does not supply anchorage/fastener calculations, and is not responsible for determining structural adequacy of the anchorage and fasteners used to install our products, or the openings into which they are installed.**
- Do not over drive screws or nails.** Doing so could result in product damage.

**CAUTION****Installation**

- Always support window or door in opening until fully fastened. Failure to do so could result in the window or door falling out or causing injury, product, or property damage.
- Nailing flanges and drip caps (integral or applied) **do not** take the place of window flashing. All windows and doors must be properly flashed and sealed with material compatible sealant for protection against water and air infiltration around the entire perimeter. Failure to do so could result in product or property damage.
- **Do not** set window directly on sill plate. Place shims under the side jambs. Window or door must be properly shimmed. Failure to do so could affect operation and product performance and could result in product damage.
- Live or dead loads transferred into our product can affect functionality, damage frame joinery or cause glass failures. Dead loads such as upper levels, roof, etc. Should be constructed before window or door is installed.
- Loads shall be designed to withstand the most critical effects of load factors and load combinations as required by the building code. (Loads are including but not limited to Live, Dead, Collateral, Auxiliary, Thermally induced, Seismic, etc.)
- Maximum vertical deflection of the header under all Load combination should not exceed the Span/720 or 1/4" whichever is less.
- Windows and doors have small parts. Small parts if swallowed could pose a choking hazard to young children. Dispose of unused, loose, or easily removed small parts. Failure to do so could result in injury.
- **Do not** drill through or into window sill to install alarm wires.

**Sealing**

- Follow instructions of foam, sealant, and flashing manufacturers regarding safety, material application, compatibility, and periodic maintenance for continued weather resistance of their products. Failure to do so could result in product or property damage. **DO NOT** overfill between the frame and opening.
- Minimally expanding foam insulation must be compliant with AAMA 812-19.
- Quaker recommends 100% silicone (ASTM C920 compliant) neutral cure only sealant. Always clean all areas where sealant will be applied. Failure to do so could result in product or property damage.
- Flashing tape must meet ASTM-D779 performance requirements.
- Maintain a minimum of 1/4" between the window or door frame and exterior finish materials. Failure to do so could result in product or property damage.

**Joining**

- Do not join any window or door to any window or door not designed for joining. Joined windows and doors must be individually supported in the opening. Failure to do so could affect operation and product performance and could result in product or property damage.

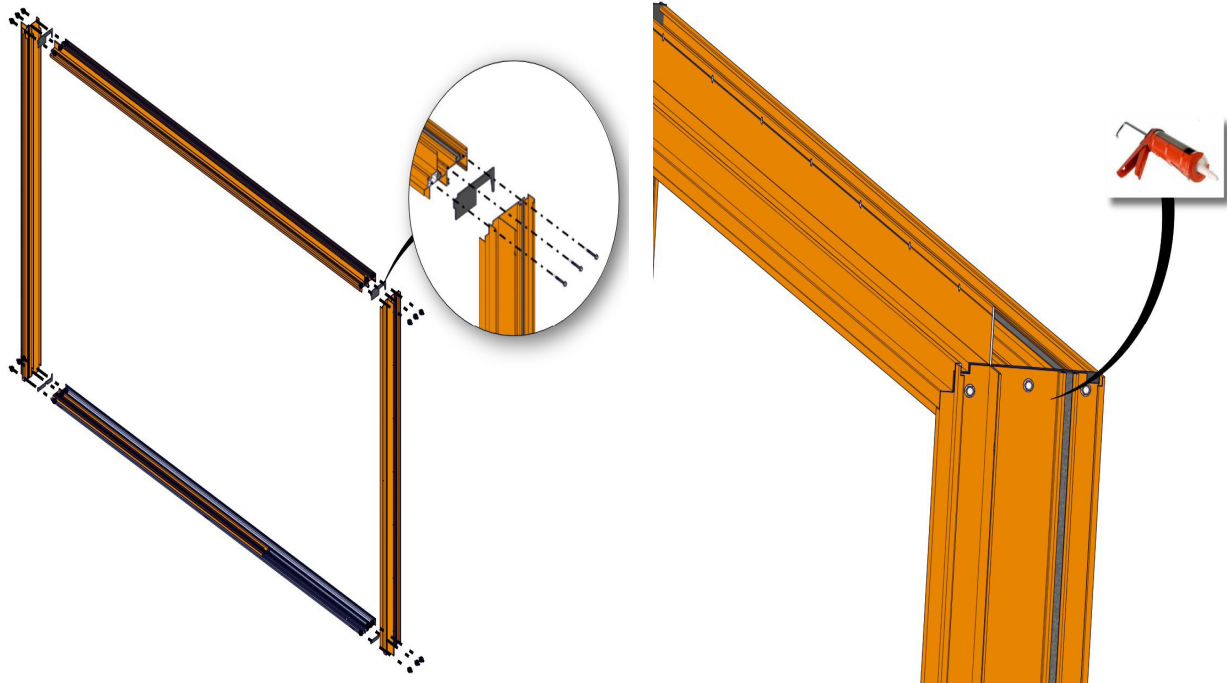
**Cleaning**

- Acid solutions used for cleaning will damage glass, fasteners, hardware, and metal flashing. Protect these products and follow cleaning products manufacturers instructions. If acid contacts the window or door, wash all surfaces immediately with clean water.
- **Do not** use razor blades to clean glass surface. Glass damage could result.
- Clean glass using liquid glass cleaner.
- Clean frame, sash, panels, and insect screens using mild detergent and warm water with a soft cloth or brush.

**IMPORTANT**

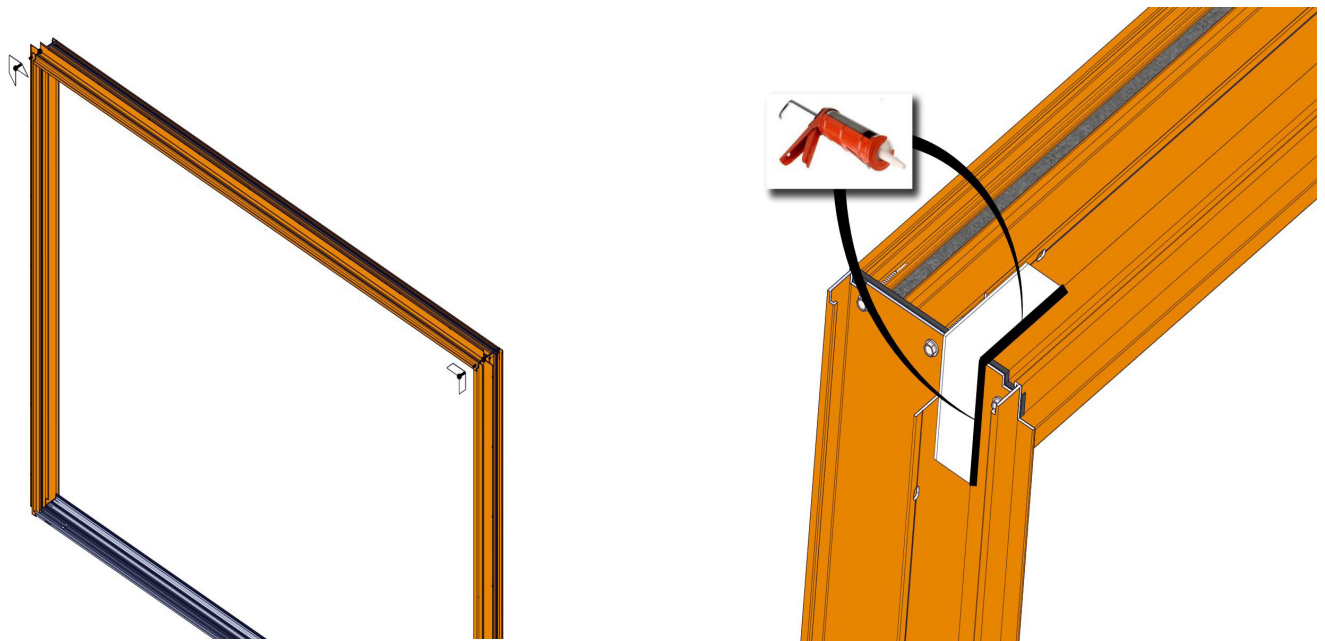
- Buildings constructed prior to 1978 could contain lead paint which could be disturbed during window or door replacement. For more information on proper management of lead paint, go to: [www.epa.gov/lead](http://www.epa.gov/lead)
- Care must be taken to properly recycle or dispose of old materials. Any recyclable materials should be separated from non-recyclable or hazardous materials. Please consult with local or state authorities regarding proper disposal of non-recyclable or hazardous materials.
- These are generic instructions intended to cover most common situations, which may not be appropriate for all installations due to building design, construction materials, or methods used and/or building or site conditions. Consult a contractor or architect for recommendations.
- Inspect all units for any damage or defects prior to installation. Contact the nearest Quaker distributor if there are any problems.

1



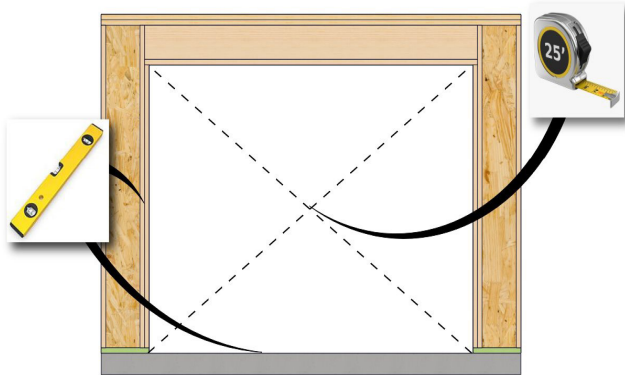
Assemble jambs to head and sill assembly with the 12 fasteners provided (MH8-18X11/2 LP). Make sure to use the two head and sill gaskets provided, and seal around all screw heads and outside corners.

2



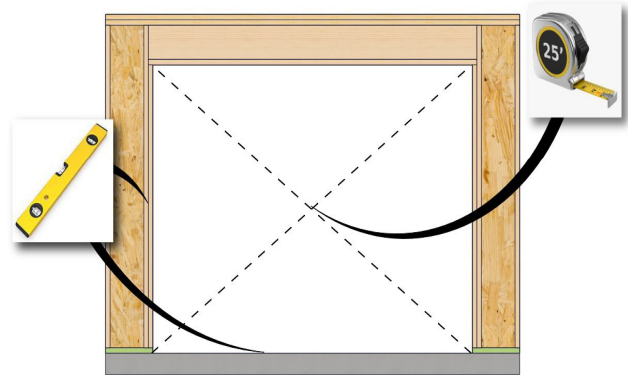
Clean the nail fin corners prior to installing the corner gaskets to the exterior side of nail fin corner gaps. Apply sealant along the edge where the gasket meets the door frame.

3



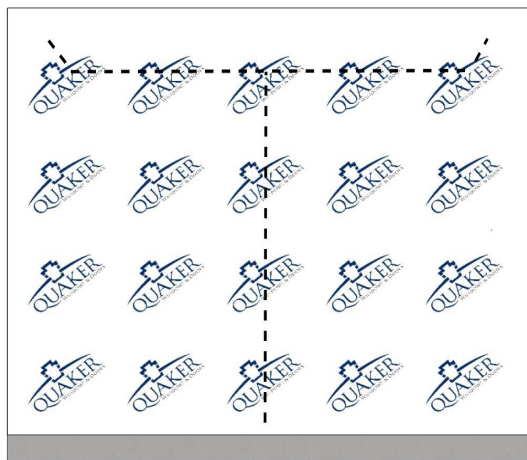
Measure and verify the opening is sized correctly. The rough opening should be a minimum 1/2" (but not to exceed 1") wider and taller than the unit. Allow additional space for flashing thickness, installation clips, joining components, and their fasteners.

4



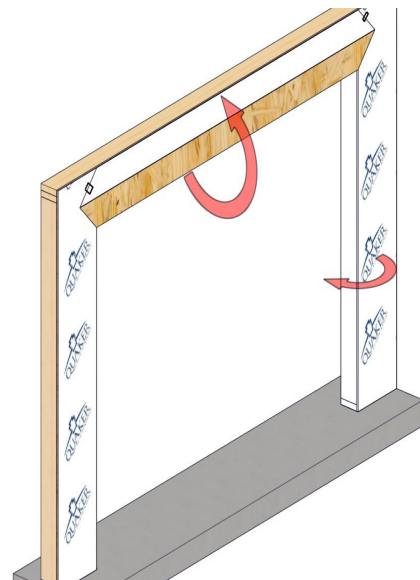
Check that the opening is square. The diagonal measurements need to be within 1/8" of each other. Verify the rough opening is plumb and level. The sill plate beneath the unit must be level for proper unit operation.

5



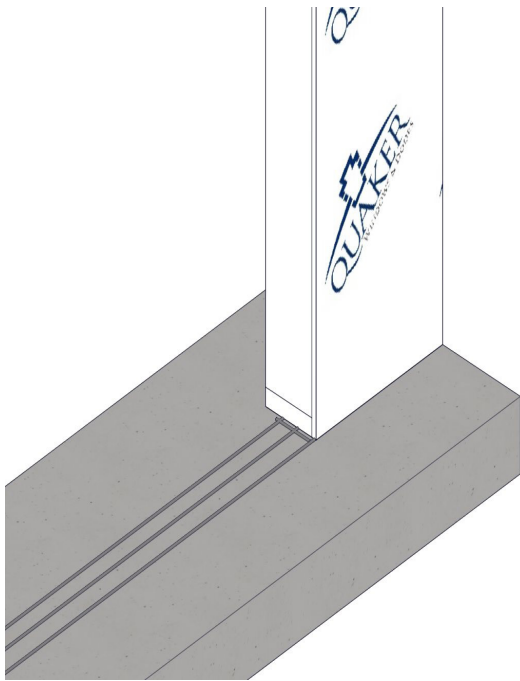
Apply the house wrap according to the manufacturer's instructions and cut T-pattern opening as shown above. Cut top flap angles at 45 degrees and 1" longer than the width of flashing tape being used.

6



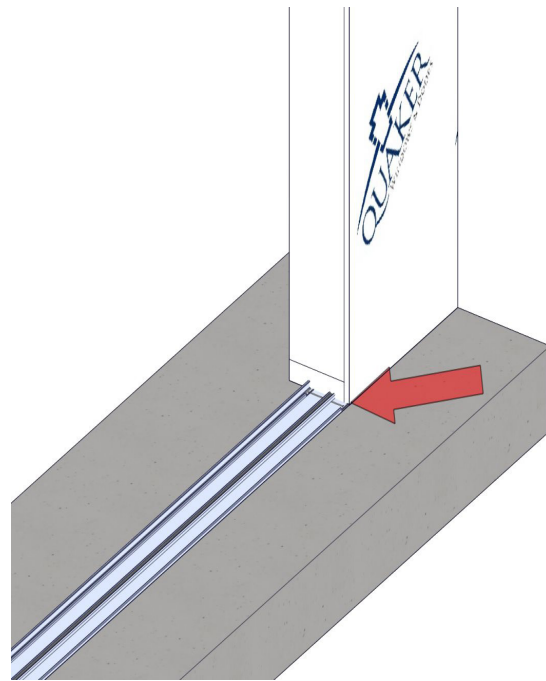
Fold the house wrap to the interior and staple it to the interior framing. Fold the house wrap flap up and temporarily tape it in place.

7



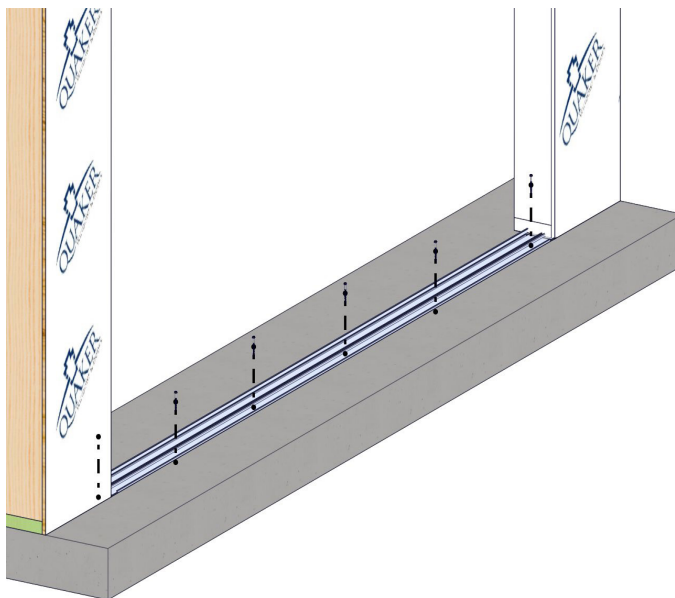
Apply three 3/8" continuous beads of silicone across the entire width of the rough opening sill, and a 3/8" continuous bead of silicone 1/2" from each side of the rough opening as shown above.

8



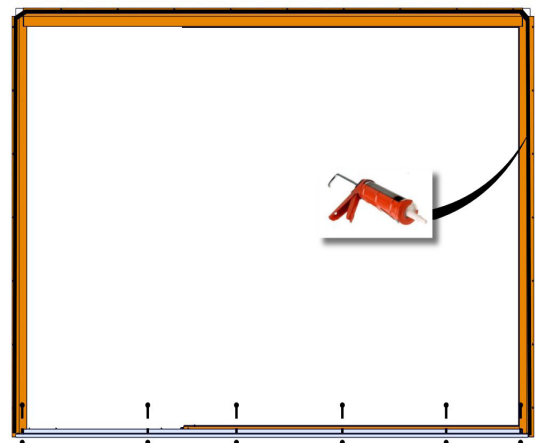
You'll need to cut the sill started to the rough opening. Install the sub-sill anchor plate keeping the exterior edge of sub-sill anchor plate in line with exterior of wall framing.

9



Fasten sub-sill anchor plate as shown above.

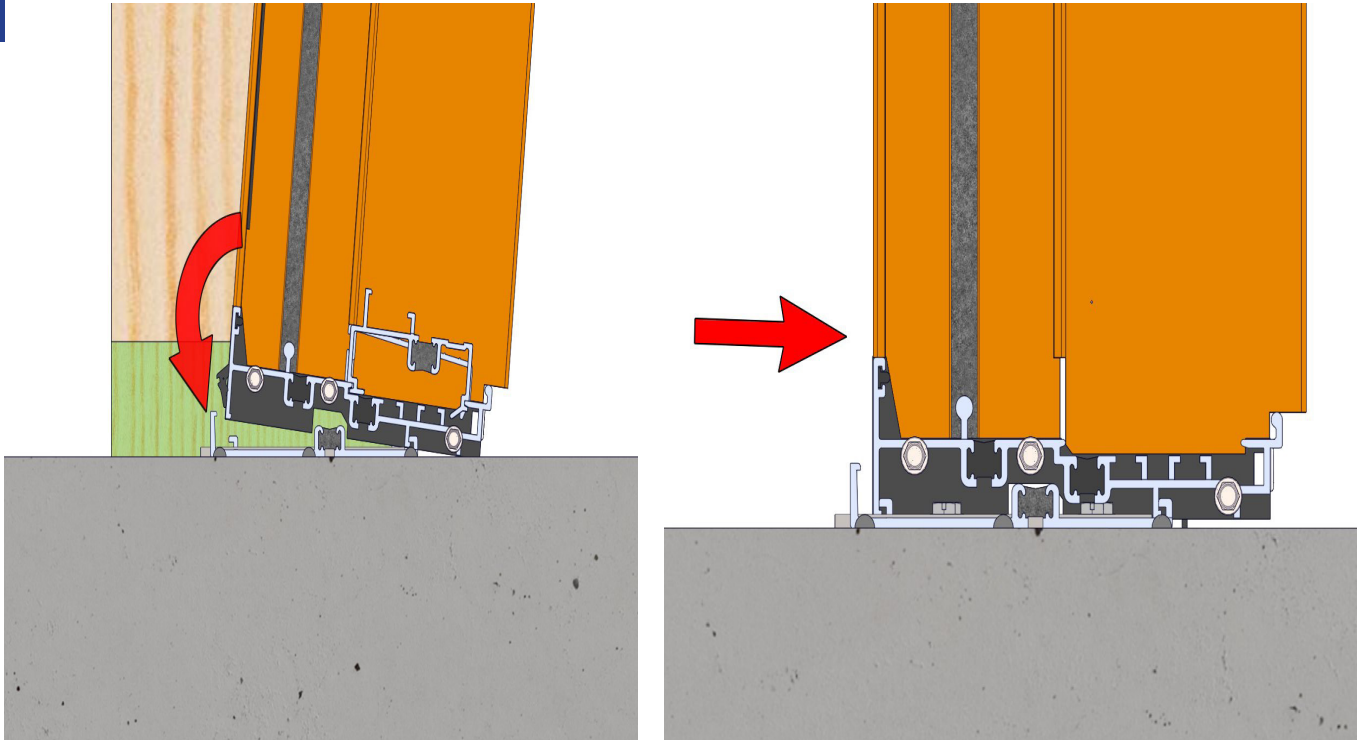
10



Apply a continuous 3/8" diameter bead of sealant along the backside of the nailing flange. Bead must run around both sides and across the head, in line with and completely covering the nail flange holes.

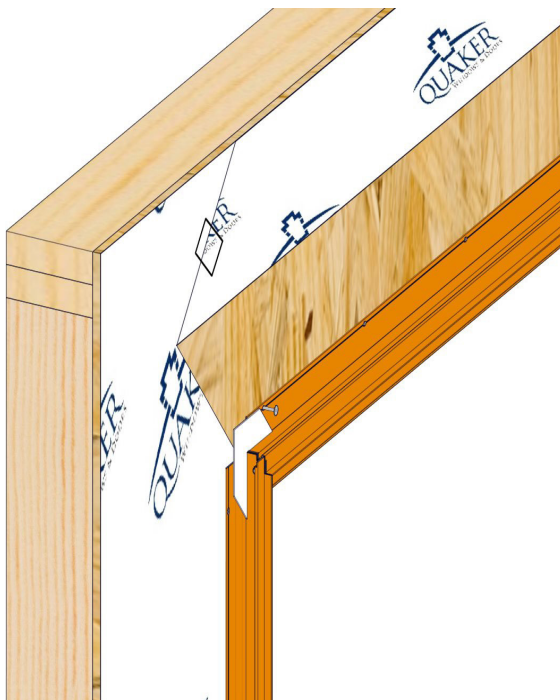


11



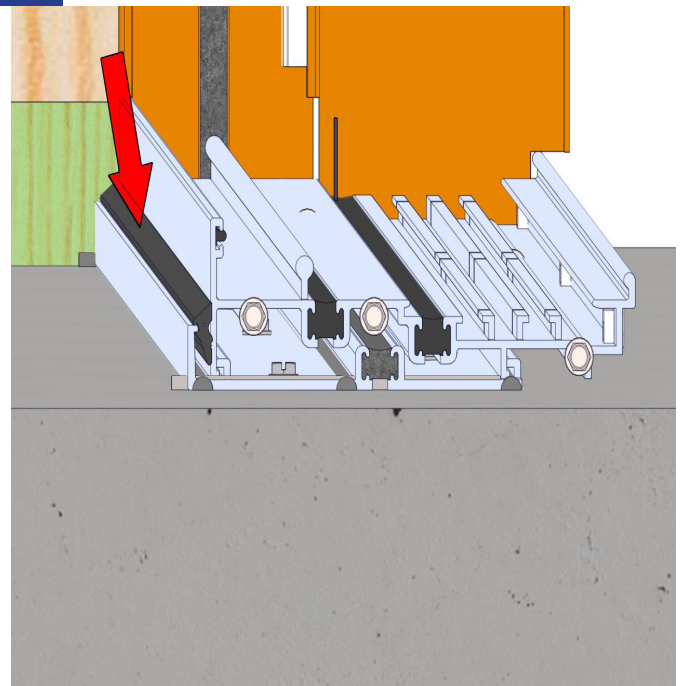
Center and set the door frame into the rough opening, making sure there are equal gaps on both sides of the door. Angle the door frame with the top tilted out, and set the exterior sill frame inside the exterior leg of the sub-sill anchor plate as shown above. Push the frame in against the framing locking the sill into the sub-sill anchor plate.

12



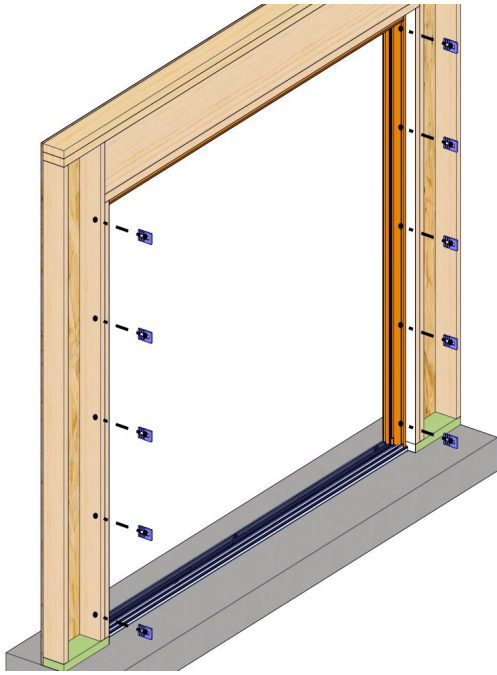
Temporarily tack the door into place using 2" galvanized roofing nails through the pre-punched hole on one top corner of nailing flange.

13



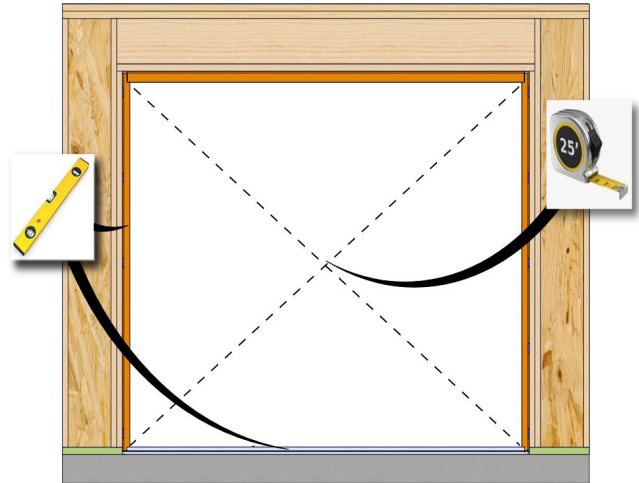
Install the wedge gasket in the sub-sill anchor plate against the interior leg of the door as shown above.

14



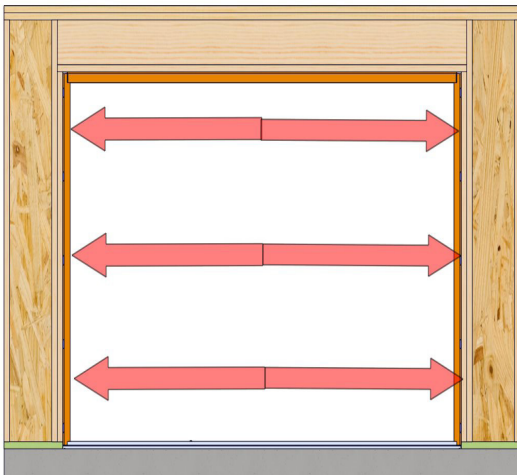
Shim at the sides of the door, and at the lock location as shown above. Never shim at the head.

15



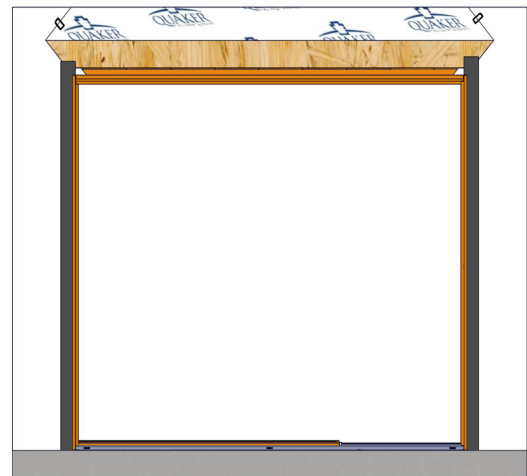
Check that the door is square. Adjust shims as needed until diagonal measurements are within 1/8". Level at the sill and plumb the frame.

16



Check that the door frame is not bowed. Adjust shims as needed until measurements are within 1/8". Finish fastening the unit every hole or a minimum of 12" on center.

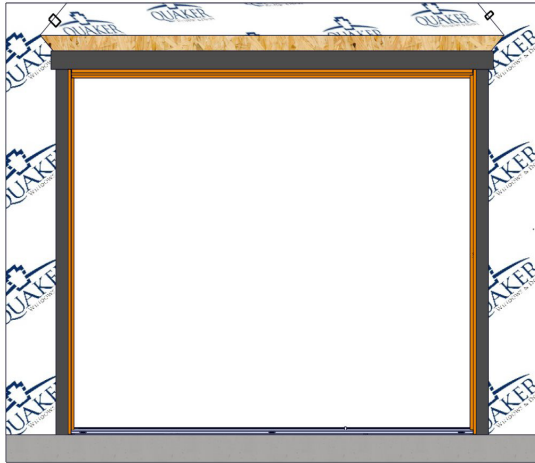
17



Apply flashing tape at the sides of the door as shown. Smooth using a J-roller. Extend tape a minimum of 2" past window frame.



18

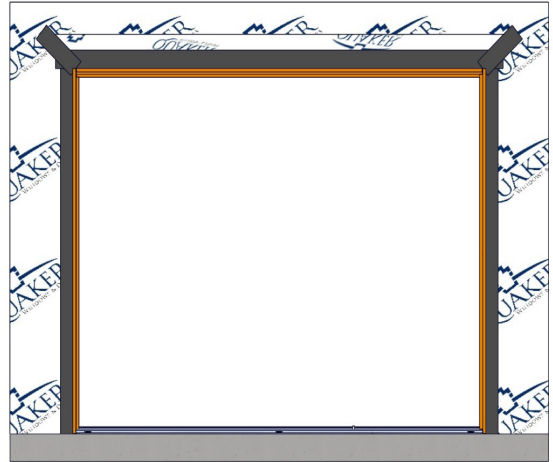


Apply a 3/8" sealant bead to the top exterior edge of door frame before installing the drip cap.  
Apply flashing over the drip cap leg, overlapping the side flashing as shown. Smooth using a J-roller.



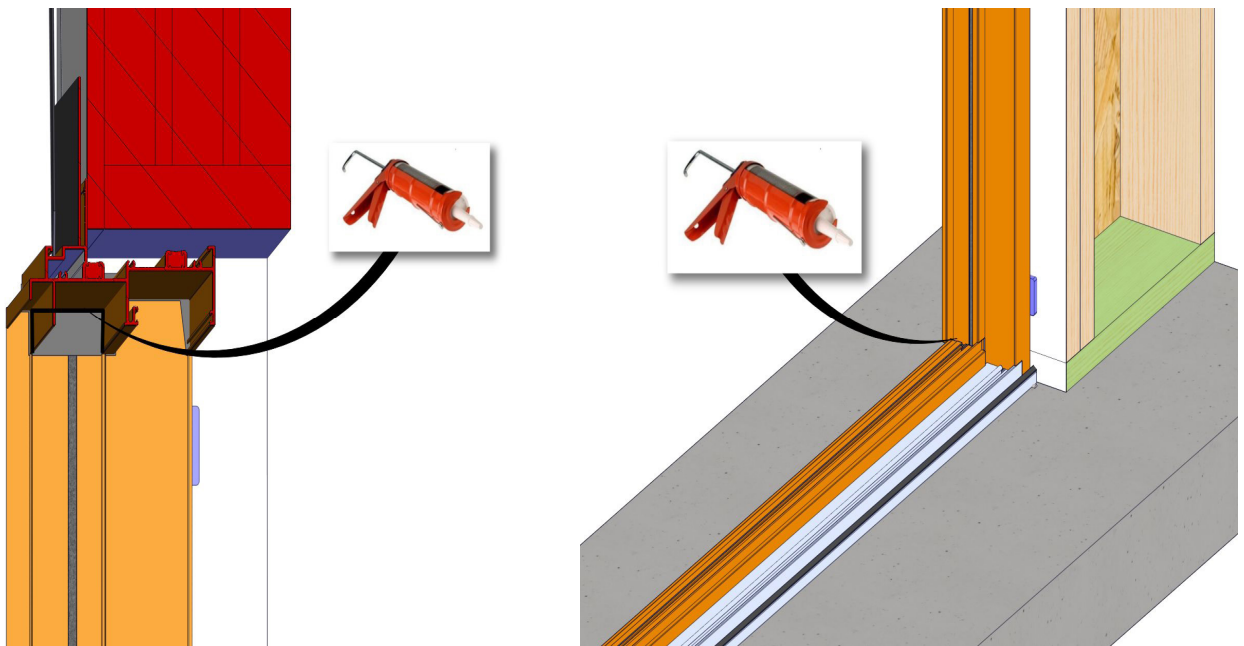
Side flashing cannot extend above the top flashing.  
Doing so could result in product or property damage.

19



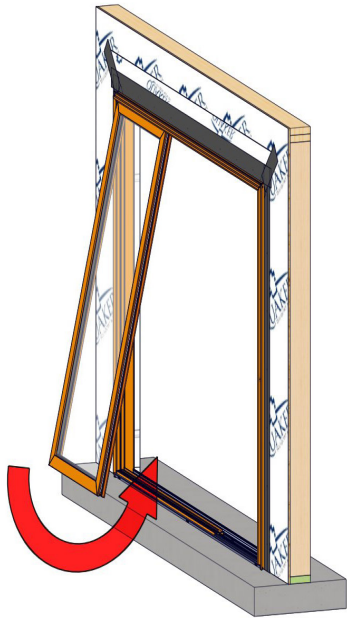
Unfold the house wrap top flap and tape the angled seams as shown.

20



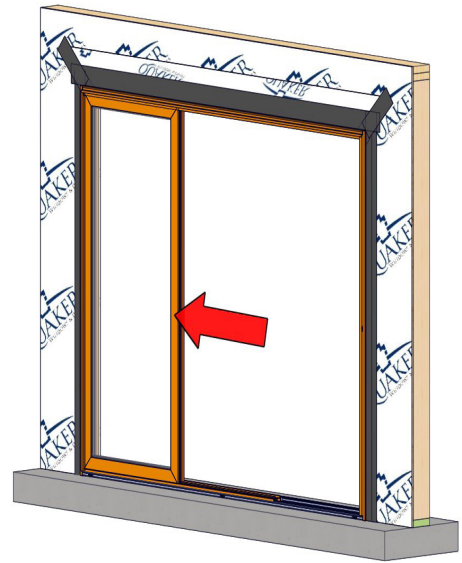
Seal the inside edge corners at the head and sill where the fixed panel will set in the frame.

21



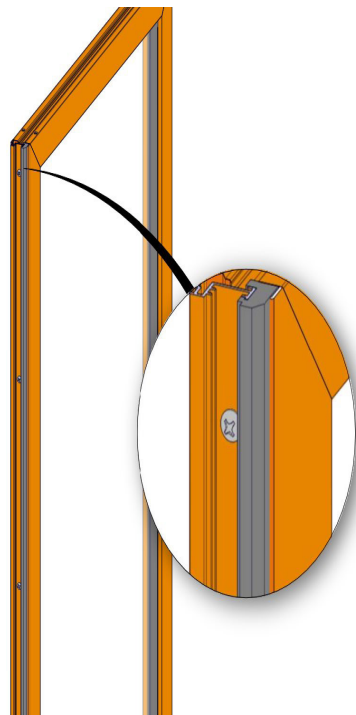
Angle the fixed panel with the top inserted into the head track, and then lift and set the bottom of the panel on the fixed panel extrusion in the sill.

22



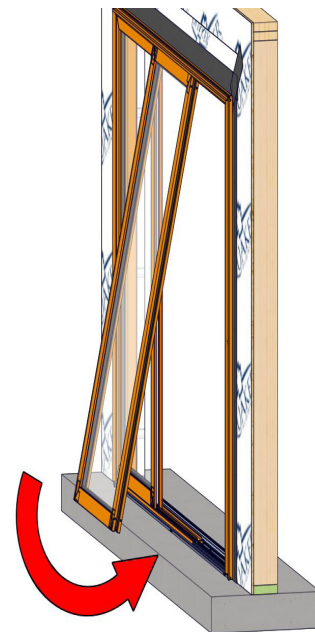
Slide the panel tight against the frame keeping the panel flush with the fixed panel extrusion in the sill.

23



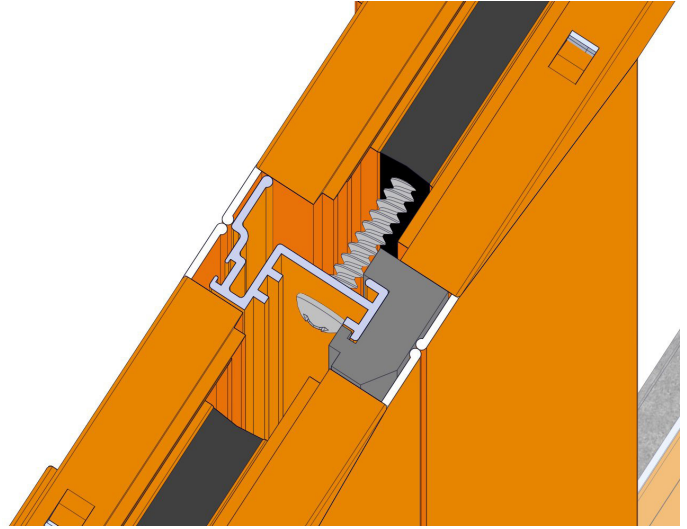
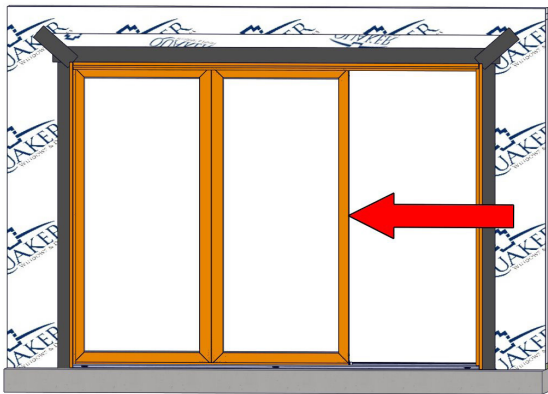
Second fixed panel will come with bridging astragal preinstalled with screws drilled through into the the panel thermofill

24



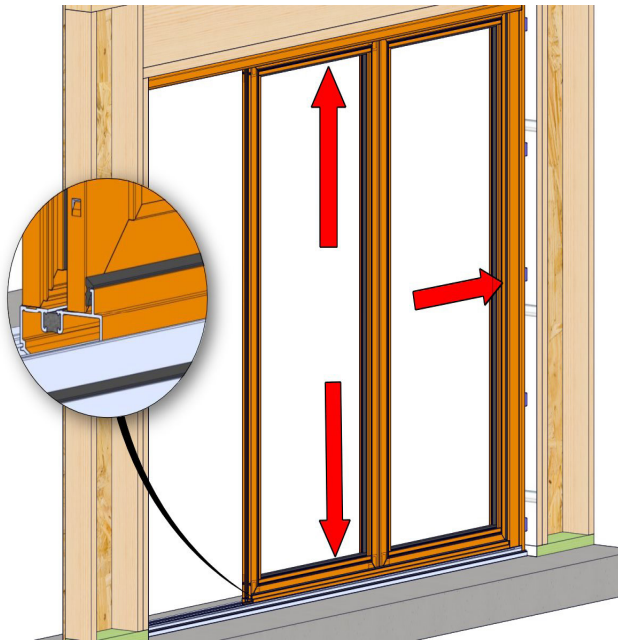
Repeat STEP 21 for the second fixed panel.

25



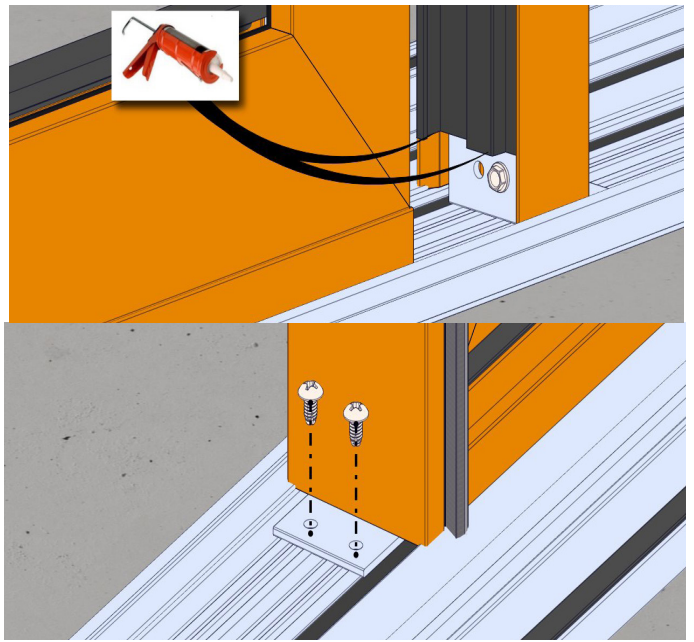
Slide the astragal side of the panel tight against the first fixed panel keeping the panel flush with the fixed panel extrusion in the sill.

26



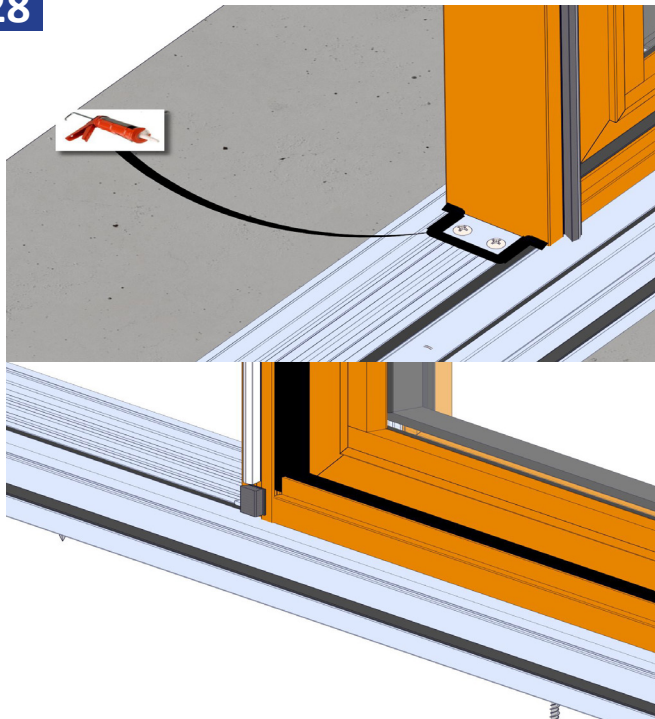
Install wedge gaskets in the sill, head, and jamb around the interior of the frame and panel to secure the panel in place.

27



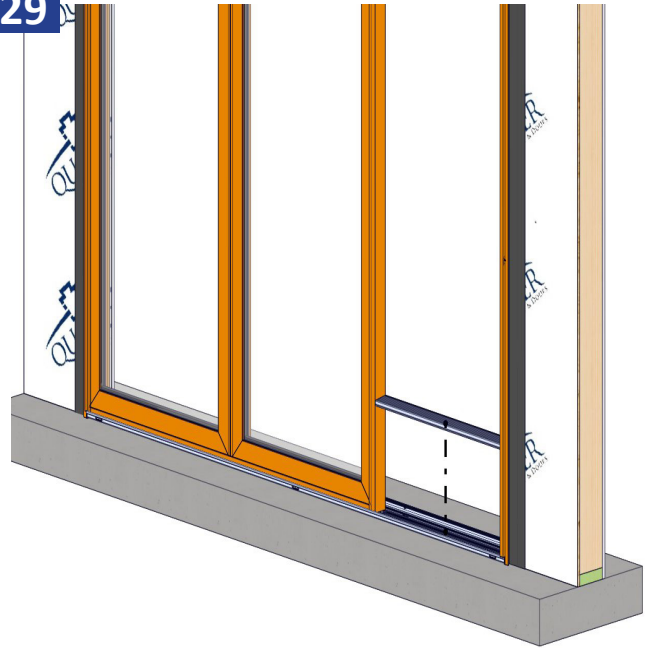
Apply a bead of sealant to inside edges of meeting rail before sliding the pre-assembled meeting rail against the fixed panel and install using supplied (MH8-18X1/2 TK2) screws in the head and sill angle brackets.

28



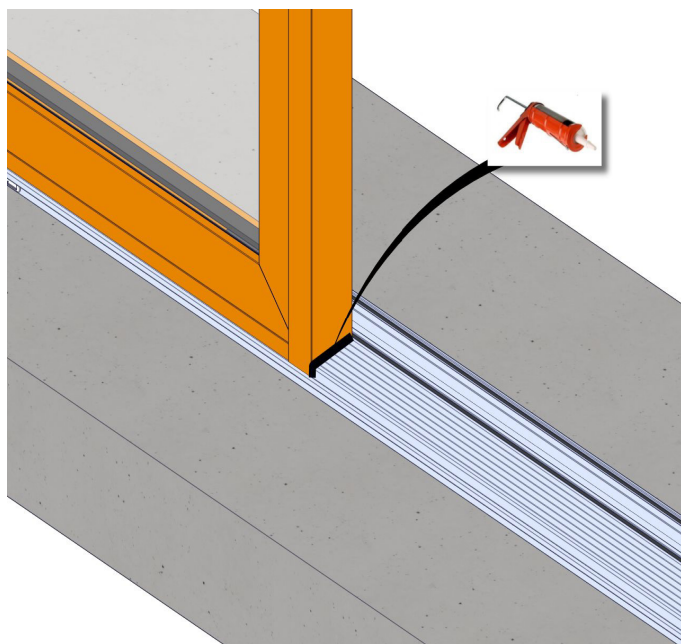
Seal around edge of angle brackets and make sure all pieces are snug and resting properly in the assembly so far.

29



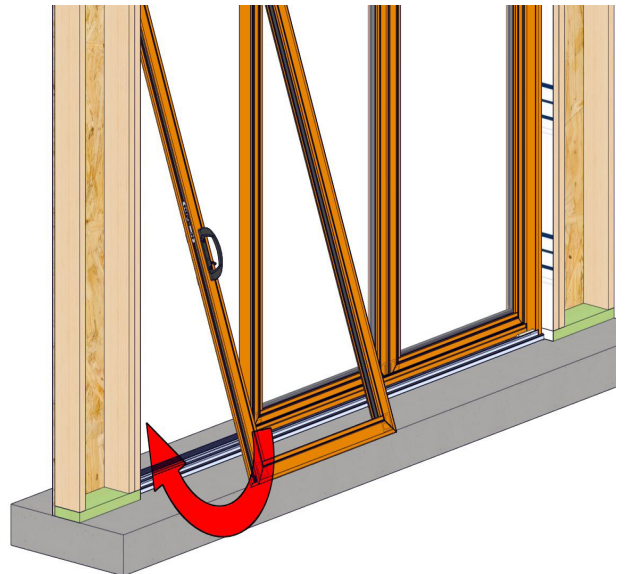
Install threshold on the exterior side of frame covering the bottom angle brackets.

30



Seal around the two ends of the threshold against the frame as shown above.

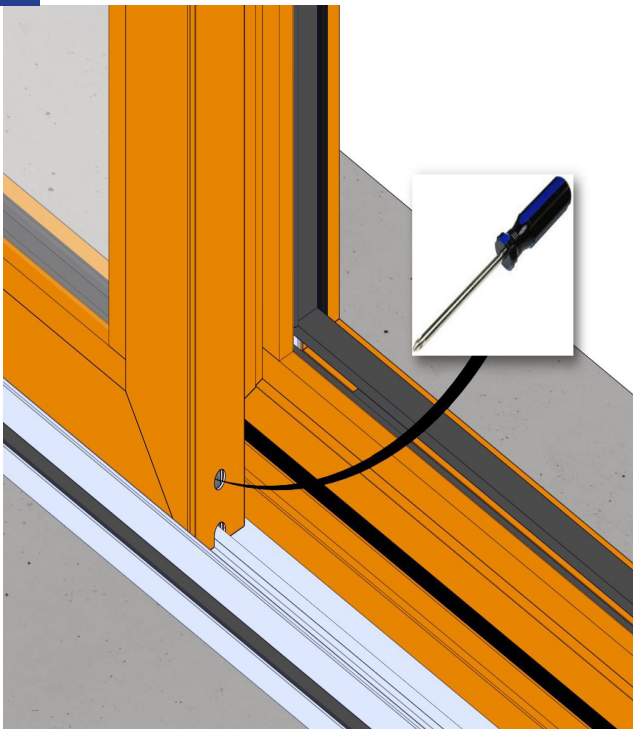
31



Angle the active panel with the top inset into the head track, and then lift and set the bottom rollers on the roller track.

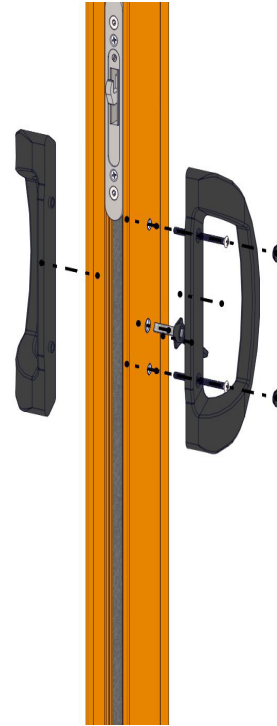


32



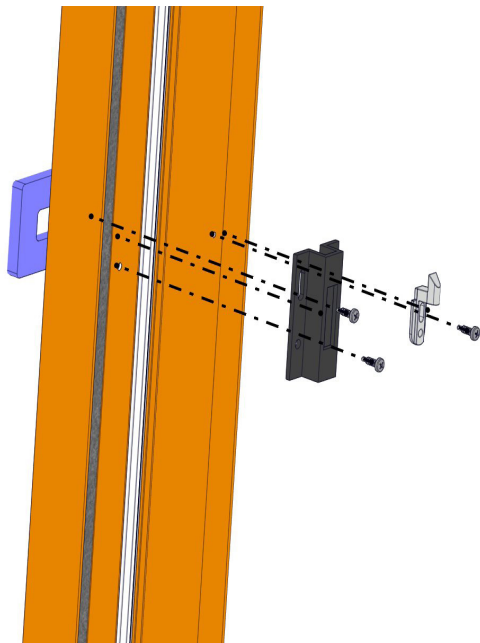
Adjust the rollers as needed to insure the panel is level, square, and slides smoothly.

33



Install handle set using provided instruction found in the hardware box using the 1 7/8" door thickness section.

34



Install jamb lock keepers for the active panel and screen door.

35



Angle the screen panel with the top inserted into the head track, and then lift and set the bottom rollers on the roller track. Adjust rollers as needed to insure the panel is level, square, and slides smoothly.